

**S T R A L I S ATi Prime Mover**



T H E C O M F O R T A B L E C H O I C E

**IVECO**

# STRALIS ATi Prime Mover



## SAFETY

- DAYTIME RUNNING LIGHTS (DRL)
  - 3 POINTS OF CONTACT FOR EASY ENTRY AND EGRESS
  - DISC BRAKES WITH ABS
  - ANTI SLIP REGULATOR (ASR)
- FRONT UNDERRUN PROTECTION
- ADAPTIVE CRUISE CONTROL (ACC)
  - EARLY LANE DEPARTURE WARNING (ELDWS)



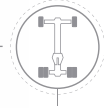
## COMFORT

- 2280MM WIDE CAB WITH INTEGRATED SLEEPER
- PNEUMATICALLY CONTROLLED ADJUSTABLE STEERING COLUMN
- DRIVER AND PASSENGER AIR SUSPENDED FULLY ADJUSTABLE HEATED SEATS
  - BUNK ACCESSIBLE CONTROL MODULE



## PRODUCTIVITY

- IMPRESSIVE FUEL EFFICIENCY
  - 12 SPEED AUTOMATED TRANSMISSION FOR OPTIMAL GEAR SELECTION
- AERODYNAMIC CAB STYLING
  - IDEAL FOR SINGLE TRAILER APPLICATIONS



## HANDLING

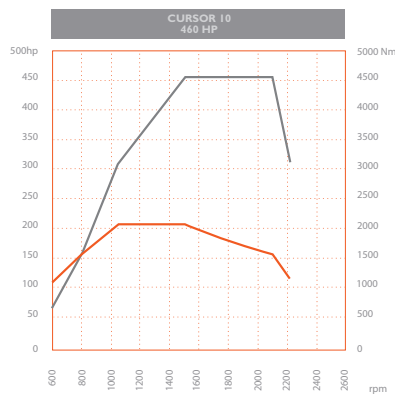
- SUPERIOR TURNING CIRCLE
- ZF EUROTRONIC II AUTOMATED TRANSMISSION WITH CRUISE CONTROL
  - HILL START ASSIST



## PERFORMANCE

10.0 LITRE IVECO CURSOR 10 (EURO 5) ENGINE

460HP AND 2100 NM OF TORQUE



**ENGINE** 460hp IVECO Cursor 10 (EURO 5)

**Maximum Output:** 460hp/338kW

**Maximum Torque:** 1550 lb ft/2100 Nm @ 1125 rpm

**Emissions Technology:** Selective Catalytic Reduction

**Total Displacement:**

10.0 litre

**Exhaust:**

Horizontal catalytic muffler with integrated SCR catalyser



## P E R F O R M A N C E

**EUROTRONIC AUTOMATED TRANSMISSION**

10 LITRE 460HP SCR ENGINE

EXTENDED OIL AND SERVICE INTERVALS

IVECO TURBO BRAKE WITH VGT

ECAS (ELECTRONICALLY CONTROLLED AIR SUSPENSION)



## W A R R A N T Y

**24 MONTHS\* / 500,000 KM / 6,000 HOURS / 100% PARTS AND LABOUR**

This warranty commences on the earlier of the date of delivery of the truck to the Purchaser or the date of registration of the Vehicle.  
This warranty ends on the earliest of the expiry of the duration, kilometres or hours.

\* Stralis Vehicles used off highway for 10% or more of total usage by kilometres will be covered by a 12 month duration warranty only.

Terms and Conditions apply, please see [www.iveco.com.au](http://www.iveco.com.au) for further details.



# STRALIS ATi Prime Mover

## CHASSIS DIMENSIONS (mm)

	4x2	6x4
<b>WB</b>	<b>3650</b>	<b>3900</b>
GC (Front)	217	230
GC (Rear)	214	245
AF	1048	1475
L	6076	6815
Turning circle*	12950	15980

\*For wall to wall, add 1270mm

## CAB DIMENSIONS (mm)

	Low roof
H (Unladen) (4x2)	2985
H (Unladen) (6x4)	2941

## SUSPENSION (mm)

	IVECO 4 Bag (4x2)	IVECO 8 Bag (6x4)
B	-	697.5
C	-	697.5
D (Laden)	958	1040
D (Unladen)	982	1032

## MASS RATINGS

- GVM/GCM 17.1T / 44.0T (4x2)
- GVM/GCM 25.1T / 50.0T (6x4)

	4x2	6x4
Chassis mass front	4.8 tonnes*	4.6 tonnes*
Chassis mass rear	1.9 tonnes*	3.4 tonnes*
Chassis mass total	6.7 tonnes*	8.0 tonnes*

\*Chassis with sleeper cab, oil and coolant, but no fuel, spare wheel or tyre.

## FRONT AXLE & SUSPENSION

- IVECO 5876

**Type:** Forged steel I-beam

**Capacity:** 7.5 tonnes

**Suspension Type:** Parabolic leaf springs and double acting shock absorbers

**Capacity:** 7.1 tonnes

## REAR AXLE & SUSPENSION

- Meritor MS13-175 single reduction (4x2)
- Meritor MT23-155 single reduction (6x4)

**Capacity:** 11.5 tonnes (4x2)

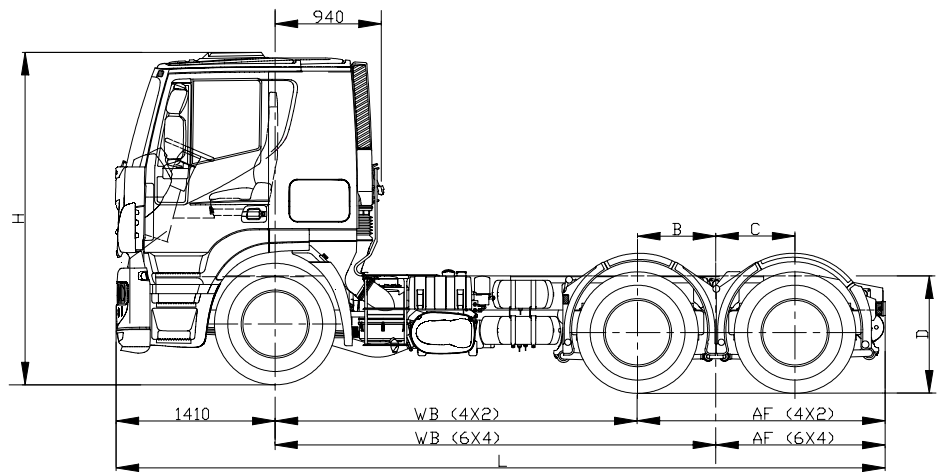
**Capacity:** 21.0 tonnes (6x4)

**Ratios:** 3.08 (4x2) 3.09 (6x4)

- Driver controlled differential locks

**Suspension Type:** IVECO 4 Bag (4x2) / IVECO 8 bag (6x4) with ECAS to control ride height

**Capacity:** 11.5 tonnes (4x2) / 21.0 tonnes (6x4)



## BRAKES

**Type:** 4-circuit air system

**Front:** 432mm Knorr disc brakes

**Rear:** 432mm Knorr disc brakes

- Wabco E 4-channel EBS/ABS/ASR and Hill Holder
- Semi trailer air connections
- 130 litre aluminium air reservoirs

## STEERING

- ZF 8098 power-assisted with gear driven pump
- 460mm diameter adjustable steering wheel

## FUEL SYSTEM

- 1 x 600 litre rectangular aluminium tank (RHS)
  - 1 x 55 litre AdBlue tank
- Optional:** 1 x 400lt fuel tank with 40lt AdBlue tank and vertical exhaust (6x4)

## TRANSMISSION

- IVECO Eurotronic II I2ASI930 TD automated 12 speed overdrive
- Two-pedal operation with automatic or manual shift control

## CHASSIS

**Type:** 304 x 80 x 7.7mm medium tensile steel channel

- Polypropylene bumper with fog and driving lights
- FUPS
- Tapered end of frame with fifth wheel mounting angles

## ELECTRICAL SYSTEM

**Type:** 24 volt

- Multiplex computerised CANBUS integrated wiring and systems control network with centralised colour display, controls and diagnostics

**Batteries:** 2 x 220 amps with automatic isolation switch

**Alternator:** 24V, 90 amps

## WHEELS & TYRES

**Wheels:** 8.25DC x 22.5 10-stud 335mm PCD steel disc

**Front tyres:** Michelin XZE2\* 295/80R22.5

**Rear:** Michelin XZE2\* 295/80R22.5

\*Or different brand, equivalent model

## COOLING SYSTEM

- Radiator frontal area: 930in<sup>2</sup> (4x2)
- Radiator frontal area: 1051in<sup>2</sup> (6x4)
- Charge air cooler frontal area: 775in<sup>2</sup>

## DRIVELINE

- Spicer 2000 series compact maintenance free shafts

## CAB CONSTRUCTION

- IVECO Active Time 2280mm wide, all steel, forward control low roof sleeper cab
- Four-point cab mounting system with mechanical suspension and dampers at rear
- Hydraulic cab tilt

## CAB FEATURES

- Fully adjustable ISRI self levelling air suspension driver's seat with headrest, armrest, adjustable damper and integrated lap-sash retractor seat belt
- Fixed ISRI passenger seat with lap-sash retractor seat belt
- Active Time sleeper cab with 2020 x 620mm lower bunk mattress, privacy curtains and food cooler box
- 90° opening doors with electronically operated windows
- Radio/CD MP3 player with Bluetooth and steering wheel controls
- Storage lockers and compartments above console and below bunk
- Air conditioning
- Expansion module and PTO provision
- Daytime Running Lights (DRL)
- Adaptive Cruise Control (ACC)

**Optional:** Early Lane Departure Warning (ELDW)

# IVECO